



**TM** 1-phase  
3-phase  
50Hz

Submersible titanium sewerwater pump

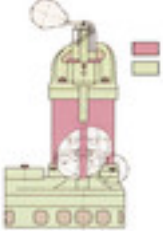
Titanium is used in all the wet metal parts of the TM pumps. Titanium has a far stronger oxide film on its surface than stainless steel does. This prevents the pumps from being corroded in the seawater which has a very high chlorine ion concentration.





## Vortex Impeller

This impeller is used mainly to avoid clogging or wear by large or stringy solids in the water. It accelerates part of the water to great speed, and this speed is used to smoothly move all the water from inlet to outlet.



## Resistant to corrosion

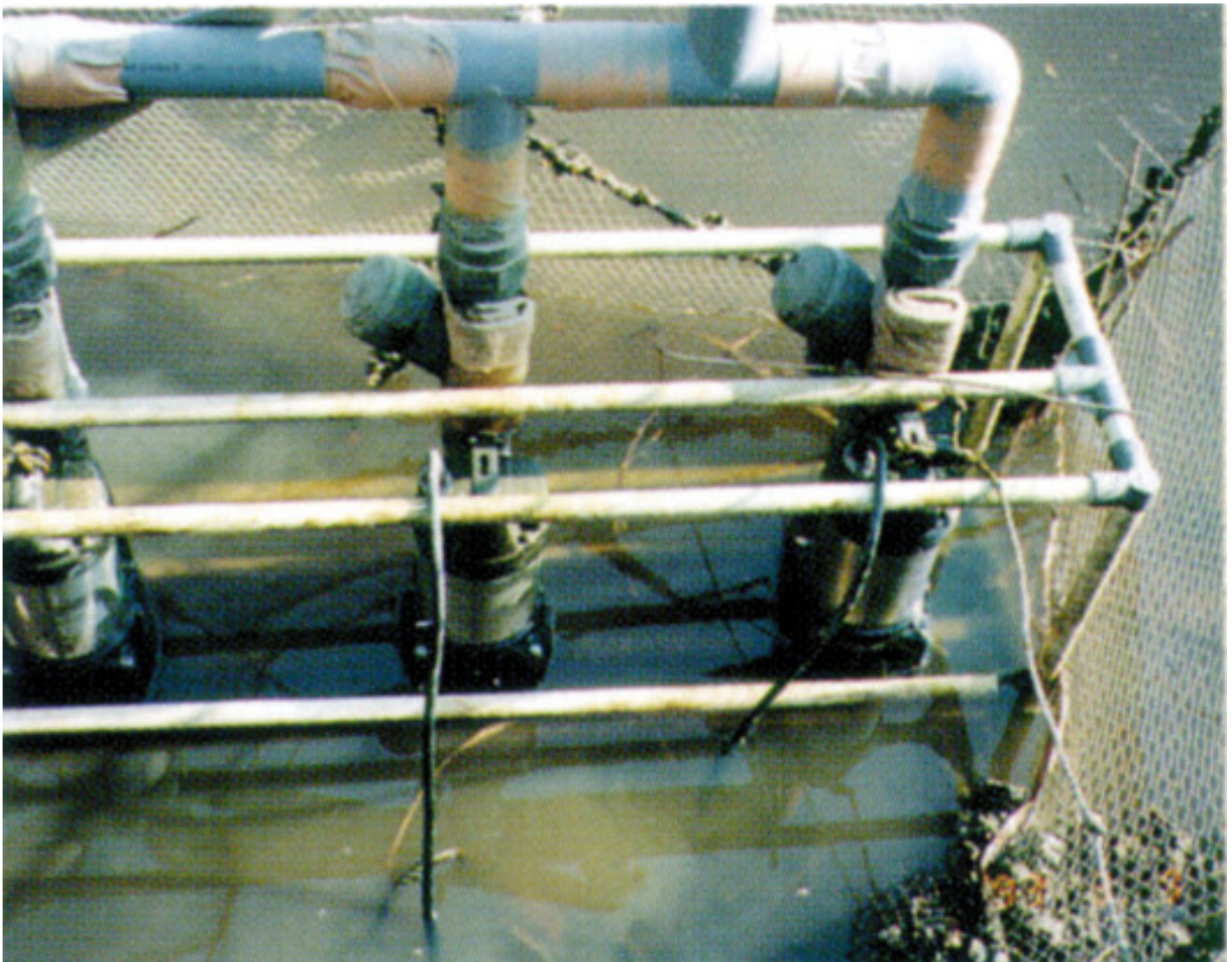
All parts in contact with the medium are made of titanium. Titanium has a far stronger oxide film on its surface than stainless steel does. This prevents the pump from being corroded in the seawater which has a very high chlorine ion concentration.



Stainless steel corrodes, titanium doesn't.





## Supplying seawater to a prawn farm



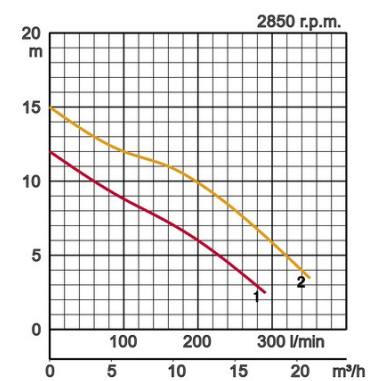


## Specifications:

Model	Colour code curve	Bore mm	Power output kW	Phases	r.p.m.	Head max. m	Capacity max. l/min	Starting method	Dry weight kg without cable	Impeller passage mm	
50TM2.4S		1	50	0,4	1	2850	12,0	290	condensor	6,7	10
50TMA2.4S			50	0,4	1	2850	12,0	290	condensor	7,2	10
50TM2.75		2	50	0,75	3	2850	15,0	350	direct	7,8	10

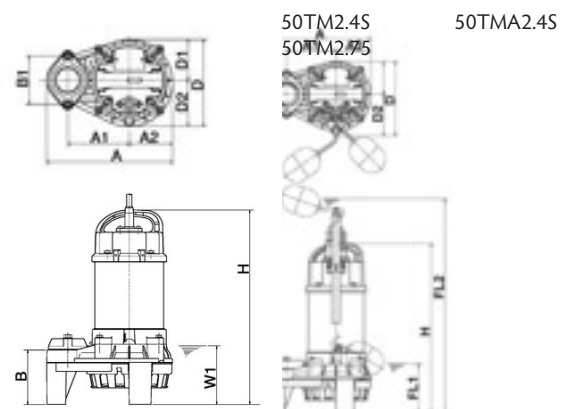


ø Discharge bore mm		50mm	
Pumping Fluid	Type of Fluid	Saltwater, Seawater	
	Temperature	0-40°C	
Pump	Components	Impeller	Vortex impeller
		Shaft Seal	Double mechanical seal
		Bearings	Shielded ball bearings
	Material	Impeller	Glass fibre reinforced plastic
		Upper casing	Glass fibre reinforced plastic
		Lower casing	Glass fibre reinforced plastic
		Shaft Seal	Silicon carbide in oil bath
Motor	Type, Poles		Induction motor, 2 poles, IP68
	Lubrication		Turbine oil (ISO VG15)
	Insulation		Insulation class E
	Phase / Voltage		Single phase 230V / 50Hz, 3-phase / 400V / 50Hz / d.o.l.
	Motor Protector (built-in)		Circle thermal cut-out
	Material	Casing	Titanium
		Shaft	Titanium
Cable		Rubber, 10m H07RN8-F, NSSHÖU	
Discharge Connection		Inside thread, flange	



## Dimensions in mm:

Model	A	A1	A2	B	B1	D	D1	D2	FL1	FL2	H	W1
50TM2.4S	236	115	81	102	90	162	86	76	-	-	360	110
50TMA2.4S	236	115	81	102	-	173	76	97	115	607	374	-
50TM2.75	236	115	81	102	90	162	86	76	-	-	374	110





Contributing to World-wide Prosperity and Understanding through Worker- and Environment-friendly Production.

Designed for increased productivity through fully integrated streamlined production systems, Tsurumi's factory in Kyoto (Japan) features a production capacity of a full 1 million pumps per year. Large-scale modern R&D facilities offer optimum conditions for experimenting and testing of even super-large pumps and for developing new products to expand the possibilities and applications of pumps. To provide optimum conditions for our main asset, our workers, as well as for the environment, special emphasis is placed on optimized working conditions with airconditioning, minimized dust and exhaust gas emission, comprehensive recycling and waste recovery.

## Tsurumi (Europe) GmbH

Wahlerstr. 10  
D-40472 Düsseldorf  
Tel.: +49 (0)211-4179373  
Fax: +49 (0)211-417937-480  
Email: [sales@tsurumi.eu](mailto:sales@tsurumi.eu)  
[www.tsurumi.eu](http://www.tsurumi.eu)

We reserve the right to change specifications and designs herein for improvement without prior notice. Our pumps are for professional use only. In the event that Tsurumi (Europe) GmbH have, in exceptional cases taken over, a manufacturer's warranty, this entitles the enduser to assert remedy free of charge against Tsurumi (Europe) GmbH due to any defect to the product occurring during the guarantee period (see below), also then when the warranty claims against the seller do not or no longer exist. In the event of malfunction, which is attributable to the improper handling by the enduser, no guarantee claim shall arise. Further claims shall not result from the warranty, unless if something to the contrary has explicitly been determined. The decision as to whether remedy is effected by way of replacement or repair shall be at the choice of Tsurumi (Europe) GmbH. The claims shall be time barred after a period of three months after expiry of the guarantee period, however, not before expiry of the warranty period which is valid towards the seller. In the event of doubt, the warranty period shall correspond with the warranty period which is valid between the end-user and his seller.



sew-TM-EN

